

Radio Transmitter module with crystal oscillator 868.30MHz- ASK/OOK Modulation

RCTX-868-L is a transmitter module with crystal oscillator, allow to realize a complete Remote Keyless adding a coding circuit.

ASK/OOK Modulation. Metallic shield.

3 Volt version.

Available 5 Volt version.



Technical Characteristics

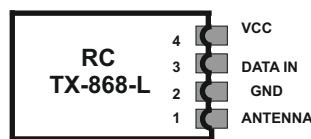
Characteristics		MIN	TYP	MAX	UNIT
V _{cc}	Supply Voltage (3 Volt version)	2.2	3	3.6	Vdc
I	Supply Current (TX mode)		21/15		mA
I _s	Current Consumption (standby mode)		< 3		μA
P _o	RF Power Output		10(*)		dBm
F	XTAL Frequency		868.30		MHz
F	Frequency Tolerance		+/- 20		KHz
	Max Data Rate			50	Kbit/s
	Power Up Time			1	ms
T _{OP}	Operating Temperature Range	-25		+80	°C

(*) we recommend the use of an antenna with a gain not higher than 3dB

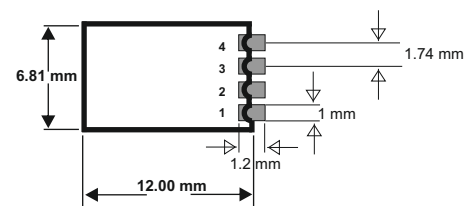
The final application that uses this TX module must have a Duty Cycle less than or equal to 10% in a time of 1 hour.

Pin Description

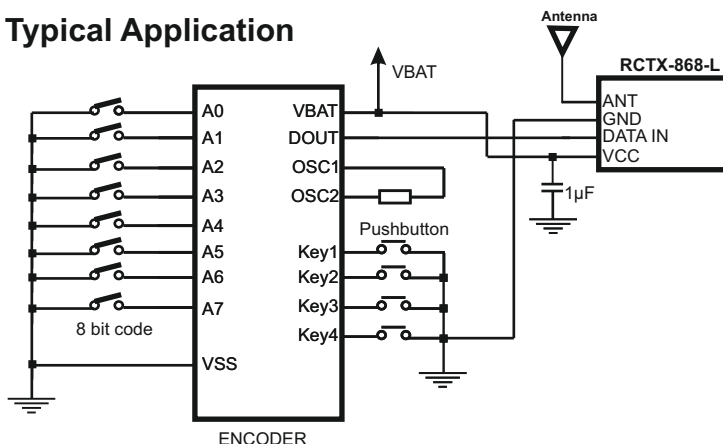
Pads	Name	Description
1	ANT	External Antenna
2	GND	Ground
3	DATA IN	Data Input
4	VCC	Power Supply



Mechanical dimensions



Typical Application



Applications :

- Wireless security systems
- Home and building automation
- Automatic Measure Reading
- Wireless Sensor Network